



***Built on a SR-130 or
PowerMax 1260 Platform.
Upgradable with your
Existing Generator and Control.***



- High Quality 14 x17 Wireless Digital Panel for excellent image quality with low x-ray dose and fast exposures.
- Advanced imaging software with easy archive, print and send tools.
- Store away laptop computer and Tilt Out panel storage cabinet for easy and safe transportation of both the digital panel and optional grid adapter.

Source-Ray's Digital Systems provide an affordable, practical and convenient solution for Healthcare Professionals transitioning from Film or CR to DR Technology. SRI Digital Systems are a turn-key solution that includes everything you need in one easy package.



DIGITAL SYSTEMS TECHNICAL SPECIFICATIONS

High Quality (14" x 17") Flat Panel Detector (Wireless or Tethered)

- Detector Type: Amorphous Silicon (a-Si)
- Scintillator: Gadolinium, or Cesium
- Pixel Size: 150 x 150 microns

On-Board Laptop Computer

- Integrated Fold-Away Design
- Intel® Core™ i5 (460M)
- 14.1" WXGA+ Anti-Glare LED Display
- 4GB DDR3 SDRAM
- 128GB SSD Hard Drive
- DVD-ROM, DVD+/-RW

Advanced Imaging Software

- Window Level
- Rotate
- Repeat Reject
- Patient ID
- Body Region
- Modality Work List Software
- Technique Chart
- Image Preview
- Archive
- DICOM Print
- DICOM Store

Panel/Grid Adapter Storage Box

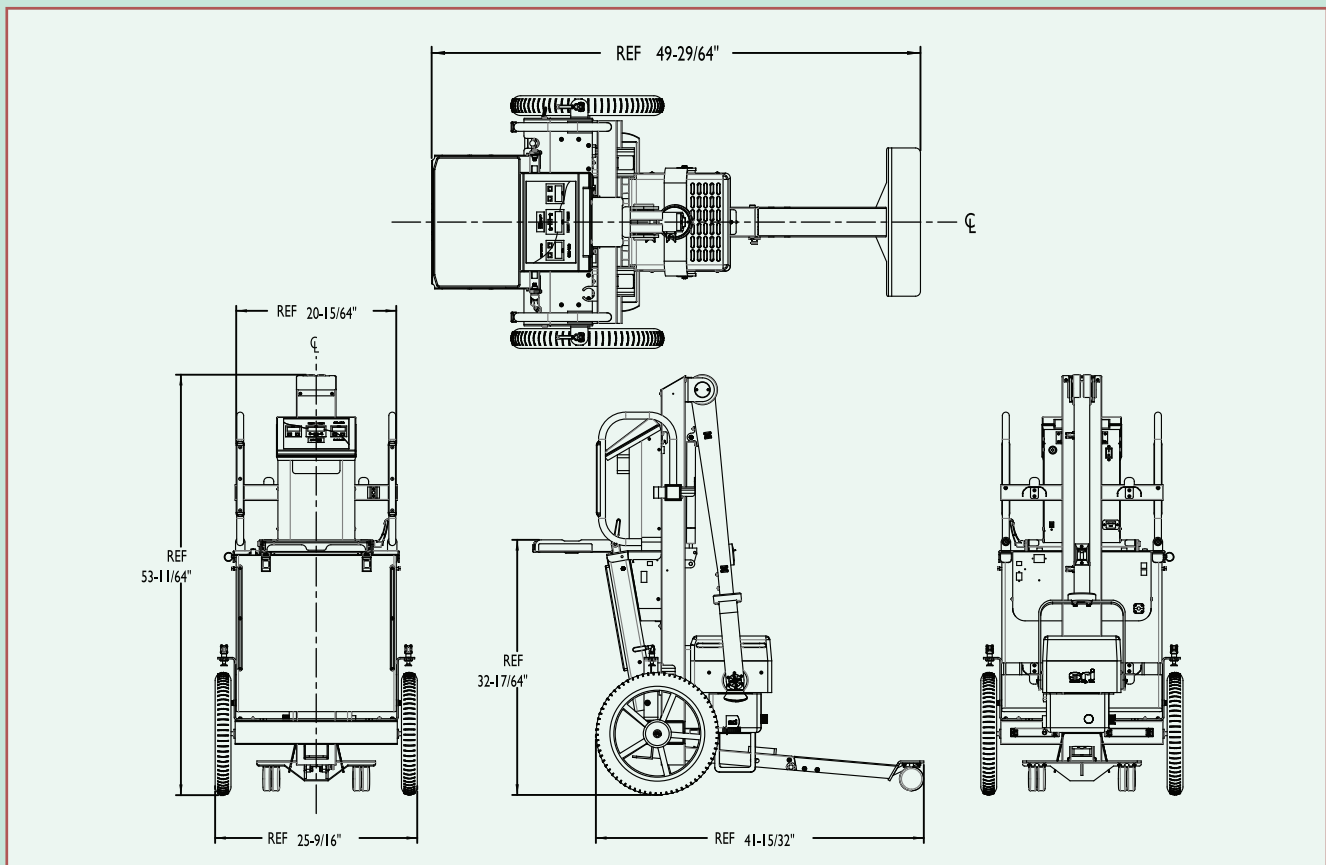
- Easy Access Integrated Design
- Panel & Grid Holder Protection

Optional Equipment

- Grid Adapter (Includes 6:1, 103 or 215 Line Grid)
- Travel Stand (required when using existing generator & control)

*Reference individual product brochures for full specifications

DIAGRAMS



Specifications are subject to change without notice.

ISO 9001-2008 Certified.

Names of companies and/or products appearing in this document are trademarks and /or registered trademarks for their respective companies.

Source-Ray, Inc. • 50 Fleetwood Court • Ronkonkoma, NY 11779
(631) 244-8200 • Email: x_raysales@sourceray.com • fax (631) 244-7464